



Product code	Color
1513180	

General Specifications

Product type	: Outdoor recessed
Mounting type	: Wall - recessed
Description	: Outdoor and indoor recessed LED fitting. 24VDC Led driver required (cod. 81-04006). Recessed housing included in the fitting.
Indoor/outdoor lights	: Outdoor
Applications	: Exit ways, Footpaths, Mark walkways, Pedestrians areas, Scenographic solutions, Walkways, Walls

Lighting specifications

Lamp description	: 10 LED 1W White 3500K CRI80
Lamp wattage (W)	: 1
Color temperature (K)	: 3500
Average lamp life (h)	: L80B10 50.000

Physical Specifications

Body	: Inner and recessed housing in high resistant technopolymer
Diffuser	: Screen in clear polycarbonate shockproof, hard-wearing
Frame	: Stainless steel
Gaskets	: Double EPDM
Mechanical load (Kg)	: 1000
Screws	: Stainless steel

Electrical Specifications

Driver	: Separate item
Driver mounting	: Remote
Cable gland	: PG7 for through-wiring

Weight and Dimensions

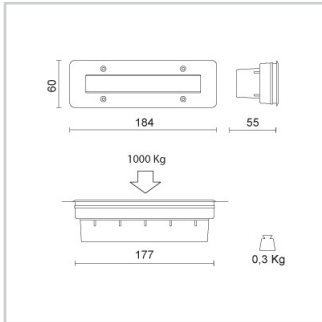
Shape	: Rectangular
Length (mm)	: 184
Width (mm)	: 60
Cutout shape	: Rectangular
Cutout Length (mm)	: 177
Recessed depth (mm)	: 55
Weight (Kg)	: 0.3

Optical Specifications

Aiming	: Fixed
Light distribution	: Asymmetric
Light emission	: Direct
Temperature max (°C)	: 40

Lamps

Number of heads	: 1
-----------------	-----



ACCESSORIES

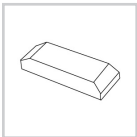


Product Code : 84108
Name : IP 68 rated cable connector



Product Code : 160821
Name : 10mt Supply cable coil, H05RN-F 2x1 mm²

Drivers



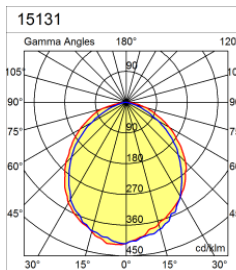


Product Code : 81-04006
Name : Driver 24 VDC constant voltage
description : Driver 24 VDC constant voltage - Max 12 pc. max distance 30mt

Lamps



Lamp categories	Lamp type	Lamp wattage (W)	Color temperature (K)	Color rendering (CRI)
LED	COB LED	1	3500	>80

Photometrics

15131	STILLED PT 10led/bi 1,3w 24V				R:100%		I.Max:420 Cd/Klm			
	H[m]	D[m]	Max lux	Med lux	Alpha=102°	H[m]	D[m]	Max lux	Med lux	Beta=94°
	1.00	2.47	83	27		1.00	2.15	83	27	
	2.00	4.95	21	7		2.00	4.30	21	7	
	3.00	7.42	9	3		3.00	6.45	9	3	
	4.00	9.89	5	2		4.00	8.60	5	2	
	5.00	12.36	3	1		5.00	10.75	3	1	

Pictures and Applications

