



Tempo 3 RVP351

RVP351 HPI-TP250W K IC A

MASTER HPI-T Plus - 250 W - Asymmetrical

Tempo is a complete floodlighting range offering a wide choice of lamp types and symmetrical and asymmetrical reflectors. It is designed for general-purpose floodlighting, and is particularly suited to small- to medium-scale area or surface lighting. The Tempo series' compact housing guarantees optimum visual integration. Anodized-aluminum reflectors ensure a highly efficient beam distribution, while the nylon bolt caps feature a goniometric aiming device for easy adjustment and alignment. A universal mounting bracket allows ceiling, wall or surface mounting with a wide range of adjustment for both down- and uplighting. Tempo's all-weather construction is designed to make cleaning and servicing easy and fast. Access to the lamp and gear is simple, via the hinged front glass with its quick-release stainless-steel clips. All Tempo luminaires are RoHS-compliant.

Product data

General Information		Light Technical	
Number of light sources	1 pc	ENEC mark	-
Lamp family code	HPI-TP [MASTER HPI-T Plus]	Warranty period	1 years
Lamp power	250 W	Optic type outdoor	Asymmetrical
Light source color	645 neutral white	Constant light output	No
Kombipack	Lamp(s) included	RoHS mark	RoHS mark
Compensation circuit	Inductive parallel compensated	Operating and Electrical	
Gear	CONV [Conventional]	Upward light output ratio	0
Optical cover/lens type	Flat glass	Input Voltage	230 V
Connection	Screw connection block 3-pole	Input Frequency	50 Hz
Cable	-	Initial CLO power consumption	{NO} - W
Protection class IEC	Safety class I	End CLO power consumption	{NO} - W
Glow-wire test	Temperature 850 °C, duration 5 s		
CE mark	CE mark		

Tempo 3 RVP351

Power Factor (Min)	0.85
--------------------	------

Controls and Dimming

Dimmable	No
----------	----

Mechanical and Housing

Housing Material	Aluminum die cast
Reflector material	Aluminum
Optic material	Aluminum
Optical cover/lens material	Glass
Fixation material	Steel
Optical cover/lens shape	Flat
Optical cover/lens finish	Clear
Overall length	428 mm
Overall width	464 mm
Overall height	146 mm
Effective projected area	0.165 m ²
Diameter	-
Color	Gray

Approval and Application

Ingress protection code	IP65 [Dust penetration-protected, jet-proof]
-------------------------	---

Mech. impact protection code	IK07 [2 J reinforced]
------------------------------	------------------------

Initial Performance (IEC Compliant)

Init. Corr. Color Temperature	4500 K
Init. Color Rendering Index	65

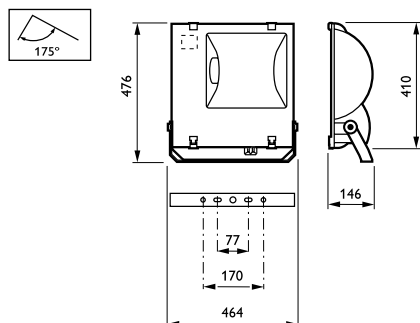
Application Conditions

Ambient temperature range	-25 to +35 °C
---------------------------	---------------

Product Data

Full product code	871155914970700
Order product name	RVP351 HPI-TP250W K IC A
EAN/UPC - Product	8711559149707
Order code	910502548418
Numerator - Quantity Per Pack	1
Numerator - Packs per outer box	1
Material Nr. (12NC)	910502548418
Net Weight (Piece)	7.540 kg

Dimensional drawing



Tempo 3 RVP351

